



Experts in Bottle Cleaning Machinery, Engineering and Fabrication Services

4-BELT UNSCRAMBLER

The 4-Belt Unscrambler is the ultimate solution for single filing bottles. Three progressively moving belts separate bottles, while the 4th reverse belt prevents jamming by removing excess bottles. It can be sold in conjunction with one of our bottle cleaners or sold separately to integrate into an existing bottling line.

Special Features

- Single Files and Eliminates bottle transfers
- 4th reverse belt prevents jamming of bottles and recirculates them back into queue
- Customizable to nearly any desirable length, including an L-shaped dump table for manual loading
- Type 304 Stainless Steel construction with FDA approved plastics



E: sales@mcbradyengineering.com

T: 815-744-8900

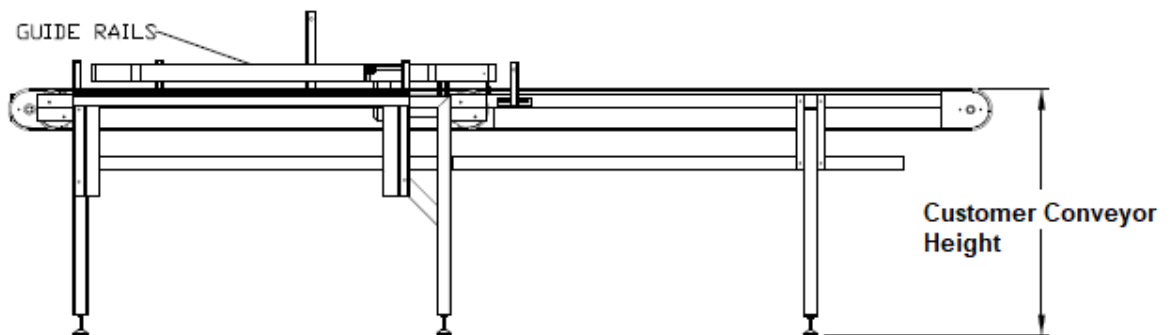
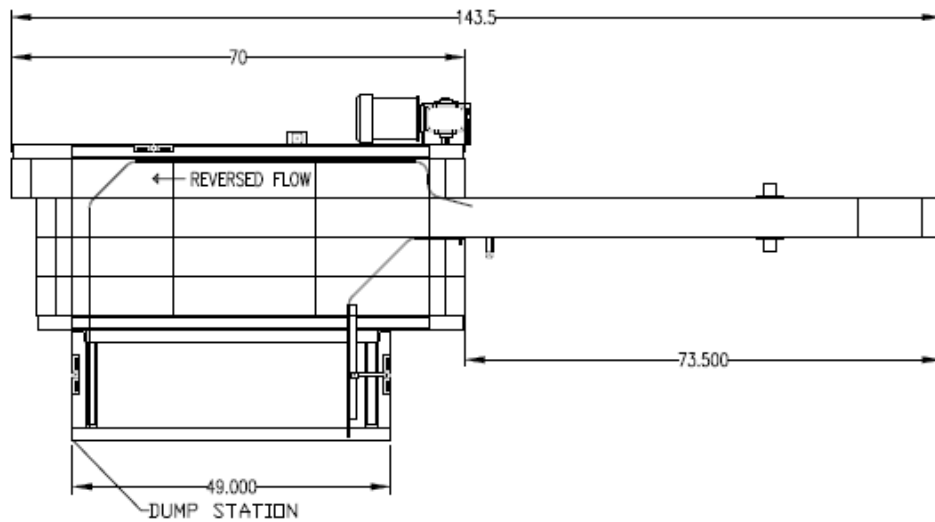
www.mcbradyengineering.com

1251 S. Larkin Ave. Joliet, IL 60436





Experts in Bottle Cleaning Machinery, Engineering and Fabrication Services



E: sales@mcbradyengineering.com

T: 815-744-8900

www.mcbradyengineering.com

1251 S. Larkin Ave. Joliet, IL 60436

