



**Experts in Bottle Cleaning Machinery, Engineering and Fabrication Services**

## MODEL #10 MANUAL CLEANER/RINSER

The Model #10 is designed for economical, manual cleaning of small runs and is available as both an air cleaner and water rinser. Bottle sizes from 10ml to 4 liters are rinsed at speeds up to 30bpm. The operator inserts two bottles into the neck adapter plate where the bottles are rinsed while inverted. The operator then removes the cleaned bottles and places them onto the filling line.

### Special Features

- Direct tube injection of air, water, or chemical
- Adjustable rinse cycle timer allows for a timed liquid and air rinse of bottle's interior
- Customizable to accommodate a multitude of different size bottles, anything from 1oz to 5 gallons
- Stainless Steel Cabinets with viewing flap protect operators from any accidental water splash
- Type 304 Stainless Steel and FDA approved plastic construction



E: [sales@mcbradyengineering.com](mailto:sales@mcbradyengineering.com)

T: 815-744-8900

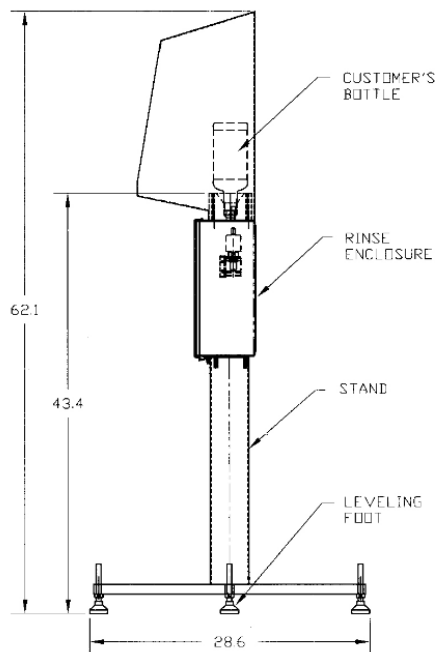
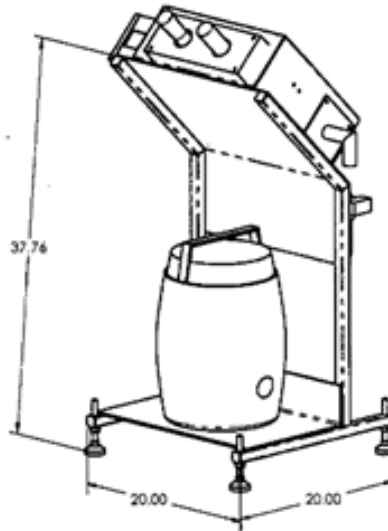
[www.mcbradyengineering.com](http://www.mcbradyengineering.com)

1251 S. Larkin Ave. Joliet, IL 60436



# MCBRADY ENGINEERING, INC.

Experts in Bottle Cleaning Machinery, Engineering and Fabrication Services



E: [sales@mcbrodyengineering.com](mailto:sales@mcbrodyengineering.com)

[www.mcbrodyengineering.com](http://www.mcbrodyengineering.com)



T: 815-744-8900

1251 S. Larkin Ave. Joliet, IL 60436